



V.35/ X.21/V.36/RS449/EIA530/ RS232 Interface Card for Loop-AM3440

Features:

- Maximum data rate of $n \times 64K$ ($n \leq 32$)
- Mapping to any sequential time slots
- Supports ANSI V.54
- Built-in BERT for diagnostics



Description

Loop Telecom's V.35/V.36/EIA530/RS232/X.21 plug-in cards are a series of 4 different plug-in cards designed for the Loop-AM3440-A series. They allow multiplexing of $n \times 64$ Kbps data to multiples of DS0 time slots onto a digital network.

An LED on the front panel of the Loop-AM3440-A provides status indication.

Ordering Information

To specify options, choose from the list below:

Model (non RoHS compliant)	Model (RoHS compliant)	Description	Note
Loop-AM3440-A-6V35A	Loop-AM3440-A-6V35A-G	6-channel V.35 plug-in modules with DB25S connector, for M34 please order conversion cable connector below. (2Mbits per channel)	For AM3440-CHA and AM3440-CHB only
Loop-AM3440-A-6V36A	Loop-AM3440-A-6V36A-G	6-channel V.36 card with DB25 connector via conversion cable to DB37	
Loop-AM3440-A-6E530A	Loop-AM3440-A-6E530A-G	6-channel EIA530 card with DB25 connector	
Loop-AM3440-A-6RS449A	Loop-AM3440-A-6RS449A -G	6-channel EIA530/RS449 card with DB25 connector via conversion cable to DB37	
Loop-AM3440-A-6X21A	Loop-AM3440-A-6X21A -G	6-channel X.21/V.11 card with DB15 connector	
Loop-AM3440-A-5RS232	Loop-AM3440-A-5RS232-G	5-channel RS232 with X.50 substrate plug-in module	

DTE Interface Cards for Loop-AM3440-A Series Product Specifications

Customer Equipment Interface (V.35)

Data Rate	56 or 64 Kbps *n (n ≤ 32)	Connector	DB25S for V.35
Mapping	Any sequential time slots		

Customer Equipment Interface (V.36)

Data Rate	56 or 64 Kbps *n (n ≤ 32)	Connector	DB25S for V.36
Mapping	Any sequential time slots		

Customer Equipment Interface (EIA530)

Data Rate	56 or 64 Kbps *n (n ≤ 32)	Connector	DB25S for EIA530
Mapping	Any sequential time slots		

Customer Equipment Interface (RS232)

Data Rate	56 or 64 Kbps *n (n=1 - 2)	Connector	DB25S for RS232
Mapping	Any sequential time slots		

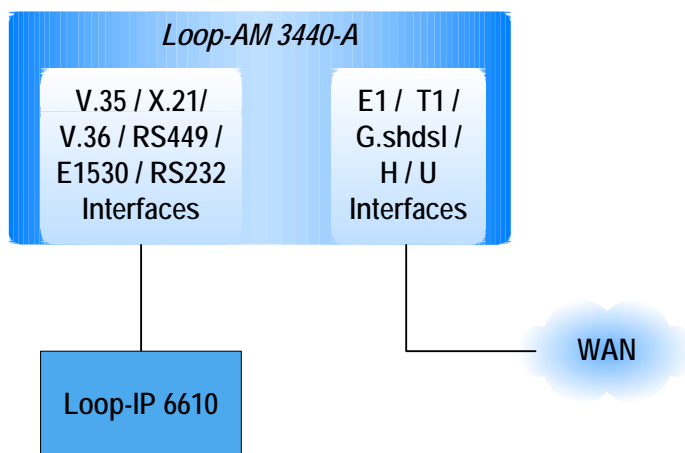
Customer Equipment Interface (RS449)

Data Rate	56 or 64 Kbps *n (n≤ 32)	Connector	DB25S for RS449
Mapping	Any sequential time slots		

Customer Equipment Interface (X.21)

Data Rate	56 or 64 Kbps *n (n ≤ 32)	Connector	DB15S for X.21
Mapping	Any sequential time slots		

Application Illustration



LOOP TELECOMMUNICATION INTERNATIONAL, INC.
ISO 9001/ISO 14001

Worldwide

8F, No. 8, Hsin Ann Road,
Science-Based Industrial Park
Hsinchu, Taiwan 30078
Tel: +886-3-578-7696
Fax: +886-3-564-6272
www.LoopTelecom.com
sales@loop.com.tw

Taipei, Taiwan

6F, No. 36, Alley 38, Lane 358,
Rueiguang Road,
Neihu, Taiwan 11492
Tel: +886-2-2659-0399
Fax: +886-2-2659-2325
michael_tzeng@loop.com.tw

North America

8 Carrick Road
Palm Beach Gardens
Florida 33418, U.S.A.
Tel: +1-561-627-7947
Fax: +1-561-627-6615
jimber561@aol.com

Tianjin China

No. 240 Baidi Road
Nankai District
Tianjin 300192 China
Tel: +86-22-8789-4027
Fax: +86-22-8789-0344
wym@loop-tj.com