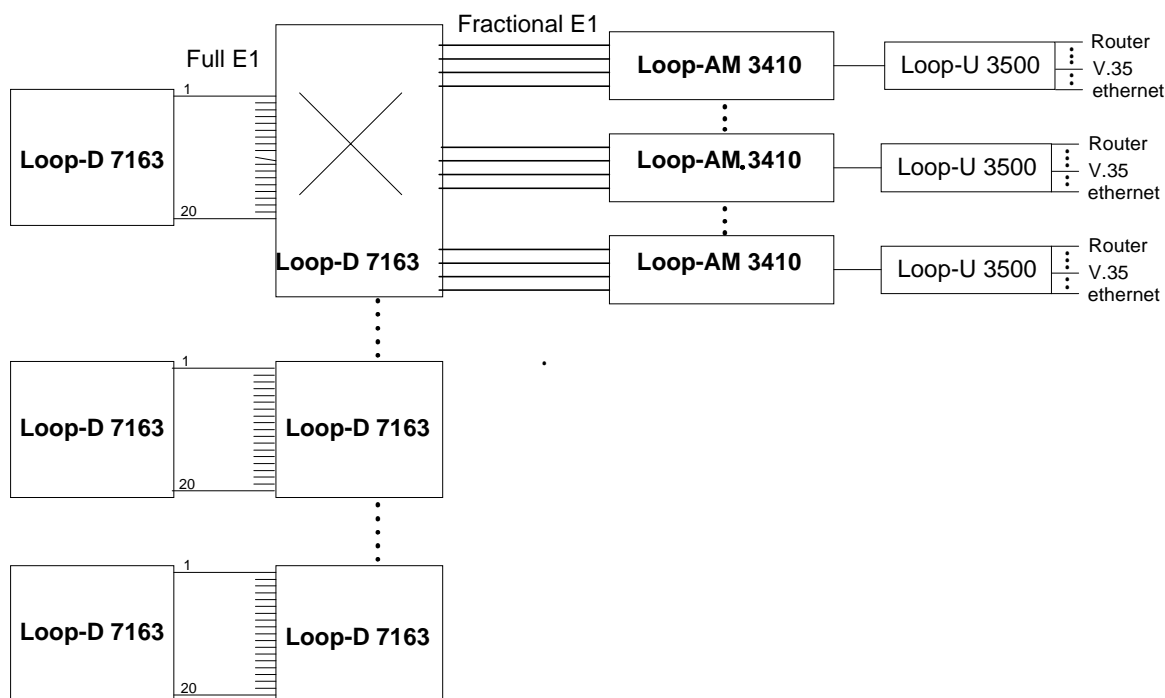


Suburban/Rural Client Service with Loop-D 7163 and Loop-AM 3410

This application is typical of those used in certain rural or suburban parts of Asia. A Loop-AM 3410 unit is installed on site at the institutional or corporate customer's premises. The AM 3410 unit sends signals on fractional E1 lines to a Loop-D 7163 unit generally located at the telephone exchange in the nearest county seat or regional center. Because the D 7163 can handle up to 63 E1 lines many AM 3410 units can be cascaded to each D 7163. The D 7163 unit will groom signals, concentrate lines and route traffic to its destination.



Problem:

Corporate and institutional customers in suburban and rural areas need a cost effective way to maintain voice and data links with the world.

Solution:

The Loop-AM 3410 installed at the customer's site is affordable and service can easily be expanded by cascading more AM 3410 units. The Loop-D 7163 at the regional telephone exchange performs all requisite grooming and routing functions.